



Universal Air Distribution Product Systems

Ready On Demand.



Di
Diffusers

Gr
Grilles

Re
Registers

Lo
Louvres

**+ Complementary
Range**

©2026 Quality Air Equipment Pty Ltd

QPRO ®, Qline ® and QAE ® are registered trademarks of Quality Air Equipment Pty. Ltd.

ALL RIGHTS RESERVED. No part of this work covered by the copyright herein may be reproduced, transmitted, stored or used in any form or by any means graphic, electronic, or mechanical, including but not limited to photocopying, recording, scanning, digitizing, taping, web distribution, information networks, or information storage and retrieval systems, without the prior written permission of the publisher.

For product information and assistance, contact
Quality Air Equipment. +61 2 9724 9297

For permission to use material from this text or product, email inquiries to
marketing@qualityair.com.au

For all sales inquiries, email to
sales@qualityair.com.au

Quality Air Equipment Offices

New South Wales (NSW)

Quality Air Equipment Pty Ltd
Visit our factory: 1 Lyn Pde, Prestons, NSW 2170
Telephone: +61 2 9724 9297
Visit our website: <https://qae.com.au>

Western Australia (WA)

Visit our factory: 20 Fisher Street, Belmont, WA 6104
Telephone: +61 8 9277 6602
Visit our website: <https://qae.com.au>

QAE ASIA LIMITED

E-mail: sales@qae-hvac.com
Mobile/Wechat: +86 139 2497 0331
Visit our website: <http://qae-hvac.com>

Di
Diffusers

Gr
Grilles

Re
Registers

Lo
Louvres

Contents

Lay-In Diffusers	5
Flush Face Diffusers	7
Bevelled Edge Diffusers	9
Linear Slot Diffusers	12
Round Diffusers	14
Curved Blade Diffuser	18
Exhaust Grilles	19
Exhaust Valves	20
Eggcrate Grilles	21
Bar Grilles	30
Half Chevron Grilles	31
Floor Grilles	32
Door Grilles	33
Registers	34
Louvres	36

**+ Complementary
Range**

Qline
Multicore Diffusers

PRODUCT INFO	
Type	Lay-In / Flush Face diffusers
Function	Supply air
Mount	Ceiling or Lay-In Grid
Varieties	5
Colour	White powdercoated
Material	Aluminium
Design	Flanged
	Quick release core

4 Way			
Product Code	Face Size (mm)	Nominal Neck (mm)	Units/ Box
LD4395F	395 x 395	250 x 250	10
LD4595295F	595 x 295	450 x 150	10
LD4595395F	595 x 395	450 x 250	10
XLD4595F	595 x 595	450 x 450	10
LD4605F	605 x 605	460 x 460	10

3 Way			
Product Code	Face Size (mm)	Nominal Neck (mm)	Units/ Box
LD3595F	595 x 595	450 x 450	10

2 Way Opposite			
Product Code	Face Size (mm)	Nominal Neck (mm)	Units/ Box
LD2OPP595F	595 x 595	450 x 450	10

2 Way Corner			
Product Code	Face Size (mm)	Nominal Neck (mm)	Units/ Box
LD2CNR595F	595 x 595	450 x 450	10

1 Way			
Product Code	Face Size (mm)	Nominal Neck (mm)	Units/ Box
LD1595F	595 x 595	450 x 450	10

4 Way



3 Way



2 Way Opposite



2 Way Corner



1 Way



Reducing Necks for Lay-In Diffusers

Square to Round



PRODUCT INFO

Material	Galvanised sheetmetal
Colour	Black

Product Code	Spigot Sizes (inches)	Compatible Grilles	Neck Size	
			(mm)	(inches)
RN1010	6 to 10	LD4395F	250 x 250	10 x 10
RN186	6 to 12	LD4595295F	450 x 150	18 x 6
RN1810	6 to 14	LD4595395F	450 x 250	18 x 10
RN1818	6 to 18	XLD4595F LD3595F LD2OPP595F LD2CNR595F LD1595F	450 x 450	18 x 18
RN605F	6 to 18	LD4605F	460 x 460	N/A

Square to Square



Product Code	Compatible Grilles	Neck Size	
		(mm)	(inches)
RN181866	XLD4595F LD3595F LD2OPP595F LD2CNR595F LD1595F	450 x 450 – 150 x 150	18 x 18 – 6 x 6
RN181888		450 x 450 – 200 x 200	18 x 18 – 8 x 8
RN181899		450 x 450 – 225 x 225	18 x 18 – 9 x 9
RN18181010		450 x 450 – 225 x 225	18 x 18 – 10 x 10
RN18181212		450 x 450 – 300 x 300	18 x 18 – 12 x 12
RN18181414		450 x 450 – 350 x 350	18 x 18 – 14 x 14
RN18181515		450 x 450 – 375 x 375	18 x 18 – 15 x 15
RN18181616		450 x 450 – 400 x 400	18 x 18 – 16 x 16

**Square to Square
without Fixing Clips**



Product Code	Spigot Sizes (inches)	Compatible Grilles	Neck Size	
			(mm)	(inches)
RN1010	6 to 10	LD4395F	250 x 250	10 x 10
RN186	6 to 12	LD4595295F	450 x 150	18 x 6
RN1810	6 to 14	LD4595395F	450 x 250	18 x 10
RN1818	6 to 18	XLD4595F LD3595F LD2OPP595F LD2CNR595F LD1595F	450 x 450	18 x 18
RN605F	6 to 18	LD4605F	460 x 460	N/A

**Square to Square
with Fixing Clips**



Product Code	Compatible Grilles	Neck Size	
		(mm)	(inches)
FCF181866	XLD4595F LD3595F LD2OPP595F LD2CNR595F LD1595F	450 x 450 – 150 x 150	18 x 18 – 6 x 6
FCF181888		450 x 450 – 200 x 200	18 x 18 – 8 x 8
FCF181899		450 x 450 – 225 x 225	18 x 18 – 9 x 9
FCF18181010		450 x 450 – 250 x 250	18 x 18 – 10 x 10
FCF18181212		450 x 450 – 300 x 300	18 x 18 – 12 x 12
FCF18181414		450 x 450 – 350 x 350	18 x 18 – 14 x 14
FCF18181515		450 x 450 – 375 x 375	18 x 18 – 15 x 15
FCF18181616		450 x 450 – 400 x 400	18 x 18 – 16 x 16



Flush Face Diffusers

4 Way



3 Way



**2 Way
Opposite**



**2 Way
Corner**



1 Way



4 Way			
Product Code	Nominal Neck		Units/ Box
	(mm)	(inches)	
SD466	150 x 150	6 x 6	10
SD499	225 x 225	9 x 9	10
SD41212	300 x 300	12 x 12	10
SD41515	375 x 375	15 x 15	10

3 Way			
Product Code	Nominal Neck		Units/ Box
	(mm)	(inches)	
SD366	150 x 150	6 x 6	10
SD399	225 x 225	9 x 9	10
SD31212	300 x 300	12 x 12	10
SD31515	375 x 375	15 x 15	10

2 Way Opposite			
Product Code	Nominal Neck		Units/ Box
	(mm)	(inches)	
SD2OPP66	150 x 150	6 x 6	10
SD2OPP99	225 x 225	9 x 9	10
SD2OPP1212	300 x 300	12 x 12	10
SD2OPP1515	375 x 375	15 x 15	10

2 Way Corner			
Product Code	Nominal Neck		Units/ Box
	(mm)	(inches)	
SD2CNR66	150 x 150	6 x 6	10
SD2CNR99	225 x 225	9 x 9	10
SD2CNR1212	300 x 300	12 x 12	10
SD2CNR1515	375 x 375	15 x 15	10

1 Way			
Product Code	Nominal Neck		Units/ Box
	(mm)	(inches)	
SD166	150 x 150	6 x 6	10
SD199	225 x 225	9 x 9	10
SD11212	300 x 300	12 x 12	10
SD11515	375 x 375	15 x 15	10

Reducing Necks for Flush Face Diffusers

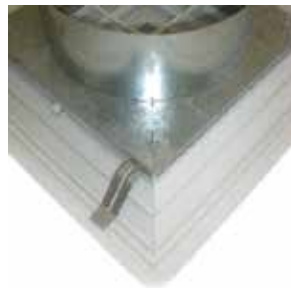
PRODUCT INFO	
Material	Galvanised sheetmetal
Colour	Black/Steel

Square to Round without clips



Product Code	Spigots Sizes (inches)	Compatible Grilles & Size Range	Neck Size	
			(mm)	(inches)
RN66	4 to 6	SD66	150 x 150	6 x 6
RN99	6 to 8	SD99	225 x 225	9 x 9
RN1212	6 to 12	SD1212	300 x 300	12 x 12
RN1515	6 to 14	SD1515	375 x 375	15 x 15

Square to Round with Fixing Clips



Product Code	Spigots Sizes (inches)	Compatible Grilles & Size Range	Neck Size	
			(mm)	(inches)
FCF66	4 to 6	SD66	150 x 150	6 x 6
FCF99	6 to 8	SD99	225 x 225	9 x 9
FCF1212	6 to 12	SD1212	300 x 300	12 x 12
FCF1515	6 to 14	SD1515	375 x 375	15 x 15

PRODUCT INFO	
Type	Bevelled Edge diffuser
Function	Supply air
Mount	Ceiling
Varieties	8
Colour	White powdercoated
Material	Aluminium
Design	Flanged
	Quick release core



Bevelled Edge Diffusers

4 Way			
Product Code	Nominal Neck		Units/Box
	(mm)	(inches)	
BED466	150 x 150	6 x 6	10
BED499	225 x 225	9 x 9	10
BED41212	300 x 300	12 x 12	10
BED41515	375 x 375	15 x 15	10
BED41818	450 x 450	18 x 18	10
BED42121	525 x 525	21 x 21	4
BED42424	600 x 600	24 x 24	4

4 Way



4 Way with Fixing Clip Reducing Neck				
Product Code	Nominal Neck		Spigot (mm)	Units/Box
	(mm)	(inches)		
FCBED4998	225 x 225	9 x 9	200	4
FCBED412128	300 x 300	12 x 12	200	4
FCBED4121210	300 x 300	12 x 12	250	4
FCBED4121212	300 x 300	12 x 12	300	4

4 Way with Reducing Neck and Fixing Clip



3 Way			
Product Code	Nominal Neck		Units/Box
	(mm)	(inches)	
BED366	150 x 150	6 x 6	10
BED399	225 x 225	9 x 9	10
BED31212	300 x 300	12 x 12	10
BED31515	375 x 375	15 x 15	10
BED31818	450 x 450	18 x 18	8

3 Way



3 Way Rectangular			
Product Code	Nominal Neck		Units/Box
	(mm)	(inches)	
BED3156	375 x 150	15 x 6	10

3 Way Rectangular



**2 Way
Opposite**



2 Way Opposite

Product Code	Nominal Neck		Units/Box
	(mm)	(inches)	
BED2OPP66	150 x 150	6 x 6	10
BED2OPP99	225 x 225	9 x 9	10
BED2OPP1212	300 x 300	12 x 12	10
BED2OPP1515	375 x 375	15 x 15	10
BED2OPP1818	450 x 450	18 x 18	10

**2 Way
Corner**



2 Way Corner

Product Code	Nominal Neck		Units/Box
	(mm)	(inches)	
BED2CNR66	150 x 150	6 x 6	10
BED2CNR99	225 x 225	9 x 9	10
BED2CNR1212	300 x 300	12 x 12	10
BED2CNR1515	375 x 375	15 x 15	10
BED2CNR1818	450 x 450	18 x 18	10

1 Way



1 Way

Product Code	Nominal Neck		Units/Box
	(mm)	(inches)	
BED166	150 x 150	6 x 6	10
BED199	225 x 225	9 x 9	10
BED11212	300 x 300	12 x 12	10
BED11515	375 x 375	15 x 15	10
BED11818	450 x 450	18 x 18	10

**Dump
Diffuser**



Dump Diffusers

Product Code	Nominal Neck		Units/Box
	(mm)	(inches)	
DUMP1212	300 x 300	12 x 12	10

Reducing Neck with Fixing Clip for Bevelled Edge Diffusers



Product Code	Spigot Sizes (inches)	Compatible Grilles & Size Range	Neck Size	
			(mm)	(inches)
FCB66	4 to 6	BED66	150 x 150	6 x 6
FCB99	6 to 8	BED99, DUMP99	225 x 225	9 x 9
FCB1212	6 to 12	BED1212, DUMP1212	300 x 300	12 x 12
FCB1515	6 to 14	BED1515	375 x 375	15 x 15
FCB156	6 to 10	BED156	375 x 150	15 x 6
FCB189	6 to 12	BED189	450 x 225	18 x 9
FCB1818	6 to 18	BED1818	450 x 450	18 x 18
FCB2121	6 to 20	BED2121	525 x 525	21 x 21
FCB2424	6 to 24	BED2424	600 x 600	24 x 24

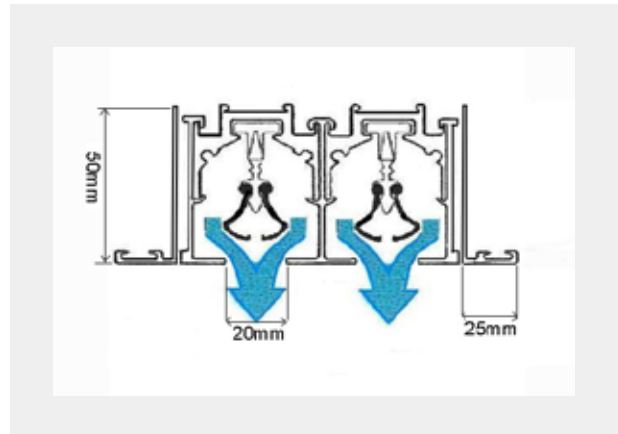
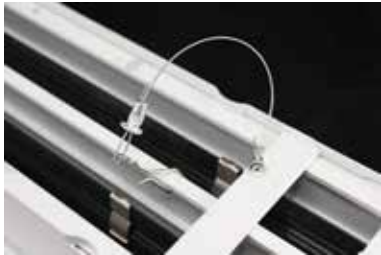
PRODUCT INFO	
Type	Linear Slot diffuser
Function	Supply air
Mount	Ceiling or wall
Varieties	2 (2 or 3 slots)
Colour	White powdercoated Black anodised blades
Material	Aluminium
Design	Safety cable
	Removable core
	Adjustable blades
	20mm slots
	1200mm max length



Removable Core Linear Slot Diffuser



Safety Cable



Product Code	Slots	Nominal Neck (mm)	Exact Neck (mm)	Face Size (mm)	Units/Box
RCLS600	2	600	590 x 97	638 x 145	5
RCLS900	2	900	890 x 97	938 x 145	5
RCLS1000	2	1000	990 x 97	1038 x 145	5
RCLS1200	2	1200	1190 x 97	1238 x 145	5
RCLS595F	2	555	547 x 97	595 x 145	5
RCLS1195F	2	1155	1147 x 97	1195 x 145	5
RCLS31195F	3	1155	1147 x 137	1195 x 185	5

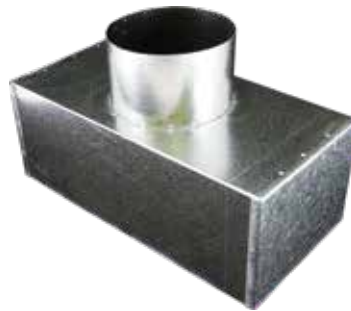
Side Entry Linear Box



PRODUCT INFO
Side entry spigots
Standard height: 75mm + spigot

Product Code	Box Size (mm)
LB6002S	600 x 105
LB9002S	900 x 105
LB10002S	1000 x 105
LB12002S	1200 x 105
LB5952S	555 x 105
LB11952S	1155 x 105
LB11953S	1155 x 145

Top Entry Uni Boot



PRODUCT INFO
Top entry spigots
Standard height: 150mm

Product Code	Box Size (mm)
UB6002T	600 x 105
UB9002T	900 x 105
UB10002T	1000 x 105
UB12002T	1200 x 105
UB5952T	555 x 105
UB11952T	1155 x 105
UB11953T	1155 x 145



**Round Diffuser
with Collar & Butterfly Damper**

PRODUCT INFO	
Type	Round Aluminium diffuser
Function	Supply air
Mount	Ceiling
Colour	White powdercoated
Material	Aluminium
	Polymer damper blades
Design	High flow rate
	Rear butterfly damper
	Fixing clips
	Quick release core



Convenient and Easy

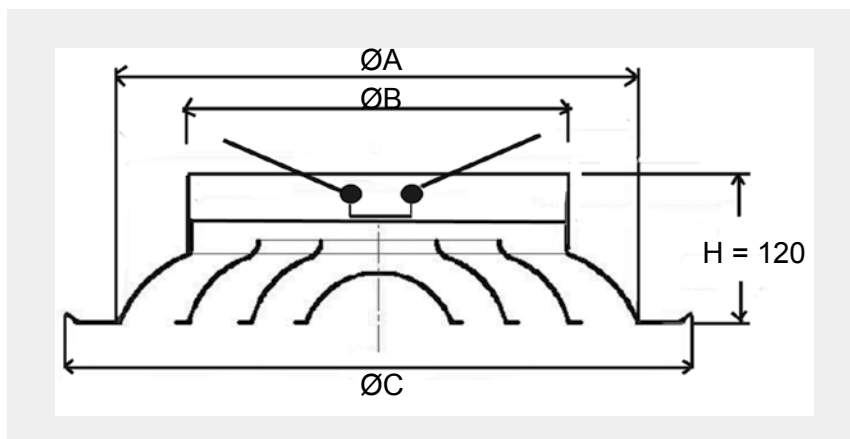
The addition of the rear butterfly damper allows for airflow adjustment while the quick release core makes rear access much easier.



Fast Installation

The fixing clip makes installation quick and easy.

Product Code	Exact Neck (mm) ØB	Nominal Neck (inches) ØB	Face Size (mm) ØC	Cut Out (mm) ØA	Units/Box
RCD6	150	6	300	250	5
RCD8	200	8	350	300	5
RCD10	250	10	400	350	5
RCD12	300	12	450	400	5
RCD14	350	14	490	450	5





Saji UNIFLO Round Diffuser



PRODUCT INFO	
Type	Saji UNIFLO Round diffuser
Function	Supply air
Mount	Ceiling
Varieties	Insulated Saji UNIFLO
Colour	White
Material	ABS Polymer
Design	Snap down fixing clip
	Dual spring arrangement
	Removable core
	Variable air flow
	Turn adjustment
	Textured finish

Easy Airflow Adjustment



Simply turn the face to allow more or less air.

Fast Installation



The clips automatically snaps the diffuser in place while the dual springs arrangement provides a secure fit.



Insulated Saji UNIFLO



Saji UNIFLO					
Product Code	Nominal Neck		Face Size (mm)	Cut Out Size (mm)	Units/Box
	(mm)	(inches)			
RND6	150	6	255	235	10
RND8	200	8	320	285	10
RND10	250	10	390	355	10
RND12	300	12	435	410	5

Insulated Saji UNIFLO					
Product Code	Nominal Neck		Face Size (mm)	Cut Out Size (mm)	Units/Box
	(mm)	(inches)			
IRND6	150	6	255	235	10
IRND8	200	8	320	285	10
IRND10	250	10	390	355	10
IRND12	300	12	435	410	5



Saji JETFLO Diffuser



The addition of the rear butterfly damper allows for airflow adjustment.

PRODUCT INFO

Type	Saji JETFLO Round diffuser
Function	Supply or exhaust air
Mount	Ceiling
Colour	White
Material	ABS Polymer
Design	Snap down fixing clip
	Dual spring arrangement
	Adjustable butterfly damper
	Push in & turn adjustment
	Textured finish

Fast Installation



The clips automatically snaps the diffuser in place while the dual springs arrangement provides a secure fit.



Easy Airflow Adjustment



Just push and turn the knob to adjust the damper

Product Code	Nominal Neck		Cut Out Size (mm)	Units/Box
	(mm)	(inches)		
JF6	150	6	205	10
JF8	200	8	260	10
JF10	250	10	305	10

PRODUCT INFO	
Type	Flanged Jet diffuser
Function	Supply air
Mount	Wall
Colour	White powdercoated
Material	Aluminium
Design	Rotatable core
	Dual modes
	Removable face ring



Jet Diffuser Flanged

The jet diffuser can perform dual modes.

Diffuse Mode



Jet Mode



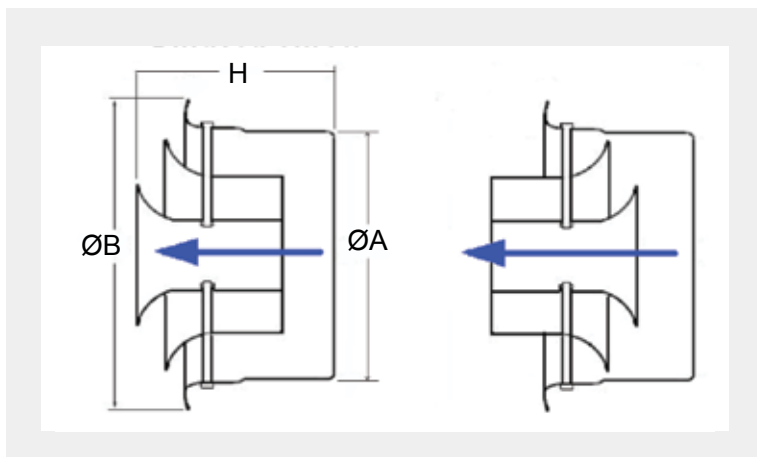
Product Code	Exact Neck (mm) ØA	Height (mm) H	Face Size (mm) ØB	Units/Box
JDF8	200	165	266	6
JDF10	250	165	322	4
JDF12	300	180	365	4
JDF14	350	220	425	2
JDF16	400	210	470	2



The nozzle swivels on its axis and can redirect airflow in a different direction.

Easy and Convenient

Holes are pre-drilled into the main face to allow for easier installation. The outer face ring easily slides on the main face to provide a neat and fine finish.



Diffuse Mode

Jet Mode



Qline
Curved Blade Diffuser

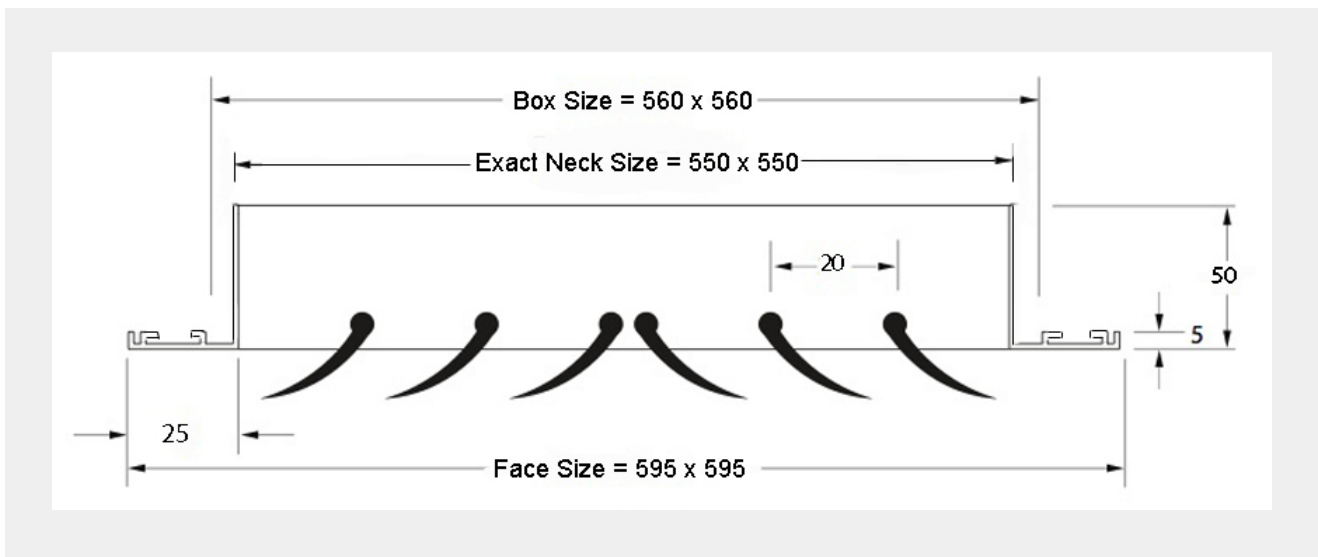
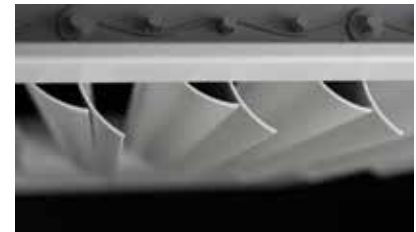
PRODUCT INFO	
Type	Curved Blade diffuser
Function	Supply air
Mount	Ceiling
Colour	White powdercoated
Material	Aluminium
Design	Loose biscuits
	4 sets of discharge blades
	Adjustable blades



Product Code	Face Size (mm)	Nominal Neck (mm)	Units/Box
CBD595F	595 x 595	560 x 560	6



The loose biscuit design can turn the diffuser into a multi directional outlet. Each blade can also be adjusted individually which results in improved airflow control.



Test Conditions

Extrapolated NC levels and pressure drops are given for a diffuser without filters or dampers attached.

(The data presented has been extrapolated from a sample set of tested products)

Product Code	Nominal Neck (mm)	Neck Area (m ²)	Neck Velocity (m/s)	1.0	1.2	1.4	1.6	1.8	2.0	2.2	2.4
			Pressure Drop (Pa)	6	9	12	15	19	24	29	35
CBD2OPP595F	560X560	0.250	Flow Rate (l/s)	250	300	350	400	450	500	550	600
			NC Level	15	19	23	28	33	37	41	45
			Throw (m)	2.0-4.2	2.4-5.0	2.8-5.8	3.2-6.5	3.8-7.2	4.3-8.2	4.9-9.4	5.5-10.6

Eggcrate Round Diffuser



PRODUCT INFO	
Type	Eggcrate round
Function	Supply or exhaust air
Mount	Ceiling or wall
Colour	White
Material	Polymer
Design	Straight connection to flexible duct

Product Code	Nominal Neck		Cut Out (mm)	Units/Box
	(mm)	(inches)		
ERND6	150	6	235	10
ERND8	200	8	285	10

Qline Louvre Grille



PRODUCT INFO	
Type	Louvre grille
Function	Exhaust or air intake
Mount	Ceiling or wall
Colour	White
Material	ABS Polymer
Design	Straight connection to flexible duct
	Insect mesh
	Screws & wall plus included

Product Code	Nominal Neck		Units/Box
	(mm)	(inches)	
LGF4	100	4	20
LGF5	125	5	20
LGF6	150	6	10

Qline Gravity Grille



PRODUCT INFO	
Type	Gravity grille
Function	Exhaust or air intake
Mount	Ceiling or wall
Colour	White
Material	ABS Polymer
Design	Straight connection to flexible duct
	Insect mesh
	Screws & wall plus included

Product Code	Nominal Neck		Units/Box
	(mm)	(inches)	
GG4	100	4	20
GG5	125	5	20
GG6	150	6	10

PRODUCT INFO	
Type	Round valve
Function	Supply or exhaust air
Mount	Ceiling
Colour	White powdercoated
Material	Steel
Design	Turn adjustment
	Variable airflow

Qline
Exhaust Metal Valve

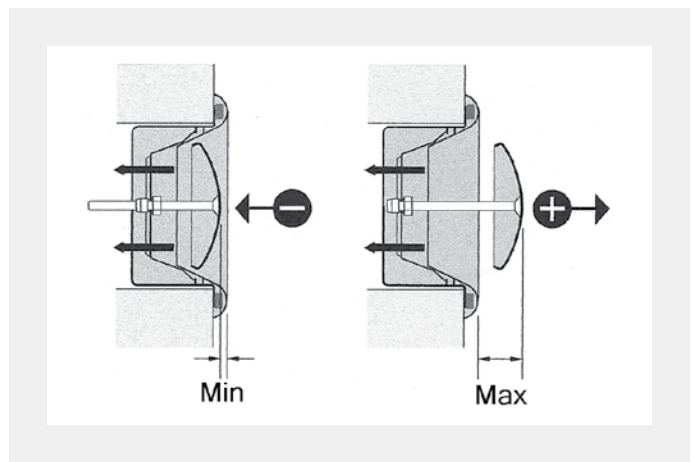
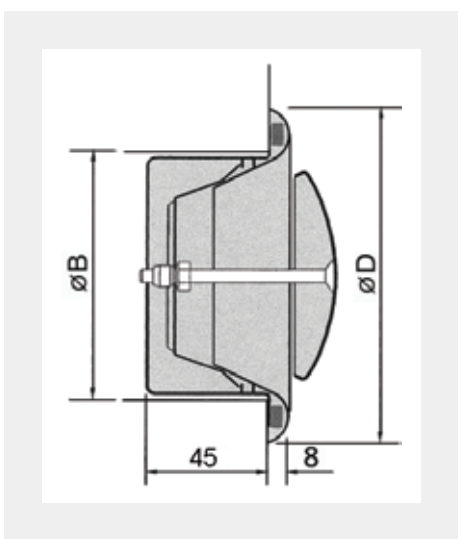


Product Code	Exact Neck (mm) ØB	Nominal Neck (inches)	Face Size (mm) ØD	Units/Box
MVE4	100	4	140	20
MVE5	125	5	165	20
MVE6	150	6	200	20
MVE8	200	8	250	20

Easy Airflow Adjustment



Turn the face to allow more or less air.



PRODUCT INFO

Type	Hinged return eggcrate grille
Function	Return or exhaust air
Mount	Wall, ceiling or lay-In grid
Varieties	Electrostatic filter
Colour	White powdercoated
Material	Aluminium
Design	Hinged on short side
	Filter media
	Filter track



Hinged Eggcrate Grille with Filter



Convenient and Secure

The hinged core design prevents the core from falling out when opening and makes changing a filter easy.

Keeps System Clean

The filter helps to keep the air distribution system clean.



Fast Filter Change

The filter guide makes filter replacement easy.



Product Code	Nominal Neck		Units/ Bundle
	(mm)	(inches)	
HERAG88	200 x 200	8 x 8	2
HERAG1010	250 x 250	10 x 10	2
HERAG1212	300 x 300	12 x 12	2
HERAG1612	400 x 300	16 x 12	2
HERAG2412	600 x 300	24 x 12	2
HERAG1414	350 x 350	14 x 14	2
HERAG1616	400 x 400	16 x 16	2
HERAG2016	500 x 400	20 x 16	2
HERAG2416	600 x 400	24 x 16	2
HERAG2816	700 x 400	28 x 16	2
HERAG3016	750 x 400	30 x 16	2
HERAG3616	900 x 400	36 x 16	2
HERAG4016	1000 x 400	40 x 16	2
HERAG4816	1200 x 400	48 x 16	2
HERAG1818	450 x 450	18 x 18	2
HERAG2418	600 x 450	24 x 18	2
HERAG3018	750 x 450	30 x 18	2
HERAG3618	900 x 450	36 x 18	2

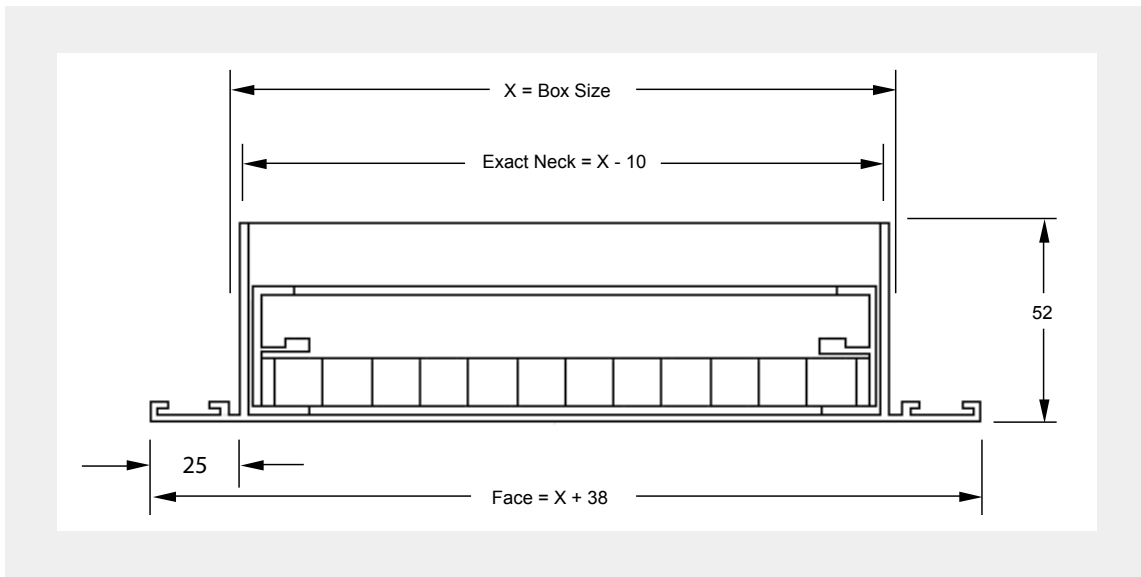
Product Code	Nominal Neck		Units/ Bundle
	(mm)	(inches)	
HERAG2020	500 x 500	20 x 20	2
HERAG2420	600 x 500	24 x 20	2
HERAG2820	700 x 500	28 x 20	2
HERAG3020	750 x 500	30 x 20	2
HERAG3220	800 x 500	32 x 20	2
HERAG3620	900 x 500	36 x 20	2
HERAG4020	1000 x 500	40 x 20	2
HERAG2422	600 x 550	24 x 22	2
HERAG2622	650 x 550	26 x 22	2
HERAG2822	700 x 550	28 x 22	2
HERAG3022	750 x 550	30 x 22	2
HERAG3622	900 x 550	36 x 22	2
HERAG2424	600 x 600	24 x 24	2
HERAG3024	750 x 600	30 x 24	2
HERAG3224	800 x 600	32 x 24	2
HERAG3624	900 x 600	36 x 24	2
HERAG4824	1200 x 600	48 x 24	2
HERAG3424	850 x 600	34 x 24	2



Hinged Eggcrate with Filter



Product Code	Face Size (mm)	Nominal Neck (mm)		Units/Bundle
HERAG595295F	595 x 295	550 x 250		2
HERAG595F	595 x 595	550 x 550		2
HERAG605F	605 x 605	560 x 560		2
HERAG1195595F	1195 x 595	1150 x 550		2



Hinged Eggcrate with Electrostatic Filter



Product Code	Face Size (mm)	Nominal Neck		Units/Bundle
		(mm)	(inches)	
EFHERAG2016	NA	500 x 400	20 x 16	2
EFHERAG2416	N/A	600 x 400	24 x 16	2
EFHERAG3016	N/A	750 x 400	30 x 16	2
EFHERAG3616	N/A	900 x 400	36 x 16	2
EFHERAG4016	N/A	1000 x 400	40 x 16	2
EFHERAG4816	N/A	1200 x 400	48 x 16	2



Cleanable

The electrostatic filter can be cleaned multiple times without having to be replaced.

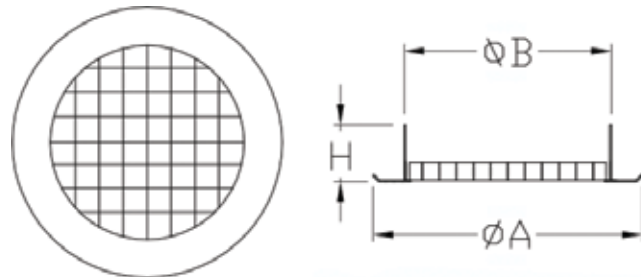
PRODUCT INFO
Hinged on long side



Round Aluminium Eggcrate Grille



Product Code	Nominal Neck		Face Size (mm) ØA	Height (mm) H
	(mm) ØB	(inches) ØB		
EGR6	150	6	205	40
EGR8	200	8	255	40
EGR10	250	10	305	40
EGR12	300	12	355	40



(The data presented has been extrapolated from a sample set of tested products)

Product Code	Core Area (m ²)	Core Velocity (m/s) Pressure Drop (Pa)	1.5	2	2.5	3	3.5	4	4.5	5	6
			0.76	1.35	2.1	3.03	4.12	5.38	6.81	8.41	12.1
EGR6	0.014	Flow Rate (l/s)	20	27	34	41	47	54	61	68	81
		NC Level	<15	<15	<15	18	22	25	28	31	36
EGR8	0.025	Flow Rate (l/s)	38	50	63	76	88	101	113	126	151
		NC Level	<15	<15	<15	19	23	26	29	32	37
EGR10	0.041	Flow Rate (l/s)	61	81	101	122	142	162	182	203	243
		NC Level	<15	<15	16	19	24	26	30	33	38
EGR12	0.059	Flow Rate (l/s)	89	119	149	178	208	238	267	297	356
		NC Level	<15	<15	16	20	25	27	30	34	39



Fixed Core Eggcrate Grille



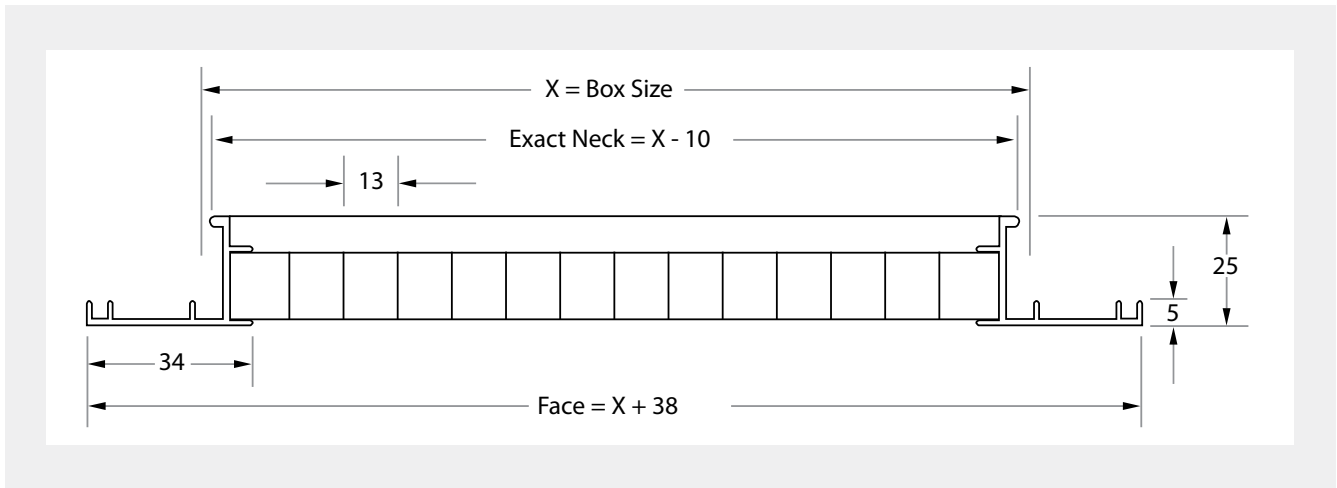
Product Code	Nominal Neck		Qty/ Carton
	(mm)	(inches)	
EG66	150 x 150	6 x 6	40
EG88	200 x 200	8 x 8	20
EG99	225 x 225	9 x 9	10
EG1010	250 x 250	10 x 10	10
EG1212	300 x 300	12 x 12	10
EG2412	600 x 300	24 x 12	5
EG1414	350 x 350	14 x 14	10
EG1616	400 x 400	16 x 16	5
EG2416	600 x 400	24 x 16	5
EG1818	450 x 450	18 x 18	10
EG2020	500 x 500	20 x 20	5
EG2424	600 x 600	24 x 24	5
EG4824	1200 x 600	48 x 24	5



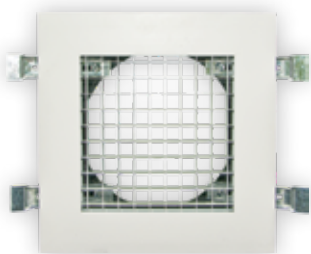
Fixed Core Lay-In Eggcrate Grille



Product Code	Face Size (mm)	Nominal Neck (mm)	Units/Box
EG395F	395 x 395	350 x 350	5
EG595295F	595 x 295	550 x 250	5
EG595395F	595 x 395	550 x 350	5
EG595F	595 x 595	550 x 550	5
EG605F	605 x 605	560 x 560	5
EG1195595F	1195 x 595	1150 x 550	5

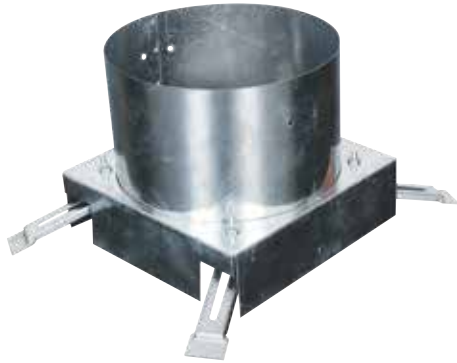


Fixed Core Eggcrate Grille with Reducing Neck and Fixing Clip



Product Code	Nominal Neck		Spigot Size		Units/Box
	(mm)	(inches)	(mm)	(inches)	
FCEG664	150 x 150	6 x 6	100	4	16
FCEG665	150 x 150	6 x 6	125	5	16
FCEG666	150 x 150	6 x 6	150	6	16
FCEG666BFD	150 x 150	6 x 6	150	6	16
FCEG886	200 x 200	8 x 8	150	6	16
FCEG886BFD	200 x 200	8 x 8	150	6	16
FCEG888	200 x 200	8 x 8	200	8	16
FCEG888BFD	200 x 200	8 x 8	200	8	16
FCEG10108	250 x 250	10 x 10	200	8	16
FCEG101010	250 x 250	10 x 10	250	10	16
FCEG12128	300 x 300	12 x 12	200	8	10
FCEG121210	300 x 300	12 x 12	250	10	10
FCEG121212	300 x 300	12 x 12	300	12	10

Reducing Neck with Fixing Clip for Fixed Core Eggcrate Grilles



Product Code	Spigot Sizes (inches)	Nominal Neck	
		(mm)	(inches)
FCE66	4 to 6	150 x 150	6 x 6
FCE88	4 to 8	200 x 200	8 x 8
FCE99	6 to 8	225 x 225	9 x 9
FCE1010	6 to 10	250 x 250	10 x 10
FCE1212	6 to 12	300 x 300	12 x 12
FCE2412	6 to 18	600 x 300	24 x 12
FCE1414	6 to 14	350 x 350	14 x 14
FCE1616	6 to 16	400 x 400	16 x 16
FCE2416	6 to 18	600 x 400	24 x 16
FCE1818	6 to 18	450 x 450	18 x 18
FCE2020	6 to 20	500 x 500	20 x 20
FCE2424	6 to 24	600 x 600	24 x 24



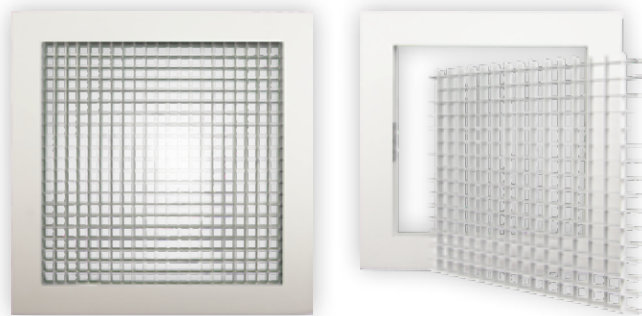
Loose Core Eggcrate Grille



Product Code	Nominal Neck		Units/Box
	(mm)	(inches)	
LCEG66	150 x 150	6 x 6	10
LCEG88	200 x 200	8 x 8	10
LCEG99	225 x 225	9 x 9	10
LCEG1010	250 x 250	10 x 10	10
LCEG1212	300 x 300	12 x 12	10
LCEG2412	600 x 300	24 x 12	10
LCEG1414	350 x 350	14 x 14	10
LCEG1616	400 x 400	16 x 16	5
LCEG2416	600 x 400	24 x 16	5
LCEG1818	450 x 450	18 x 18	5
LCEG2020	500 x 500	20 x 20	5
LCEG2424	600 x 600	24 x 24	5
LCEG4824	1200 x 600	48 x 24	5



Loose Core Lay-In Eggcrate Grille

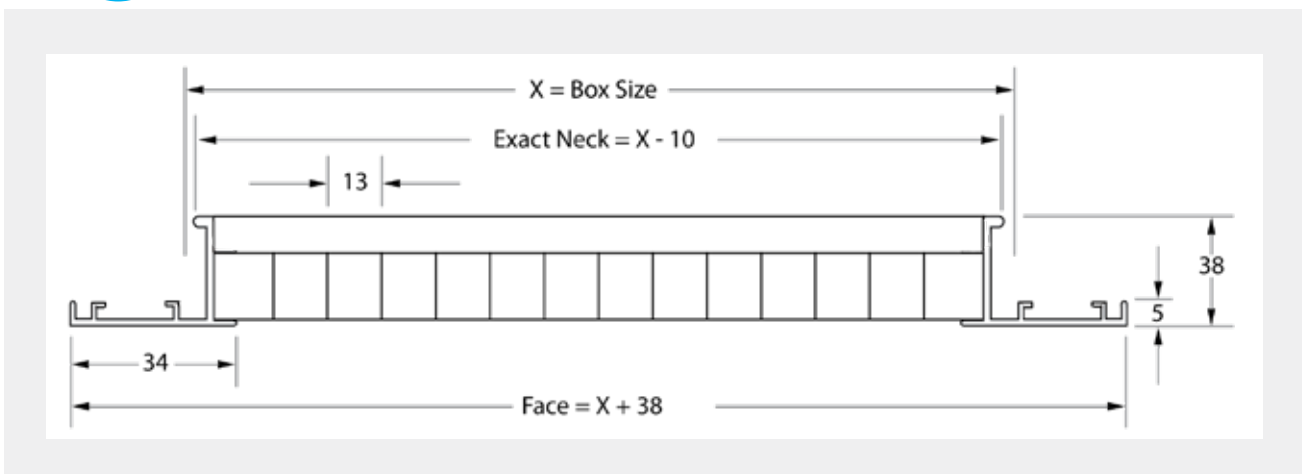


Product Code	Face Size (mm)	Nominal Neck (mm)	Units/Box
LCEG395F	395 x 395	350 x 350	10
LCEG595295F	595 x 295	550 x 250	5
LCEG595F	595 x 595	550 x 550	5
LCEG1195595F	1195 x 595	1150 x 550	5

The loose core design maintains the look of a fixed core design but accessing the rear of the grille is easier.



A loose core design is best for ceiling installation

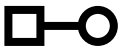


Reducing Neck with Fixing Clips for Loose Core Eggcrate Grilles



Product Code	Spigot Sizes (inches)	Compatible Grilles	Nominal Neck	
			(mm)	(inches)
FCLC66	4 to 6	LCEG66	150 x 150	6 x 6
FCLC88	4 to 8	LCEG88	200 x 200	8 x 8
FCLC99	6 to 8	LCEG99	225 x 225	9 x 9
FCLC1010	6 to 10	LCEG1010	250 x 250	10 x 10
FCLC1212	6 to 12	LCEG1212	300 x 300	12 x 12

Reducing Neck without Clips for Lay-In Fixed and Loose Core Eggcrate Grilles



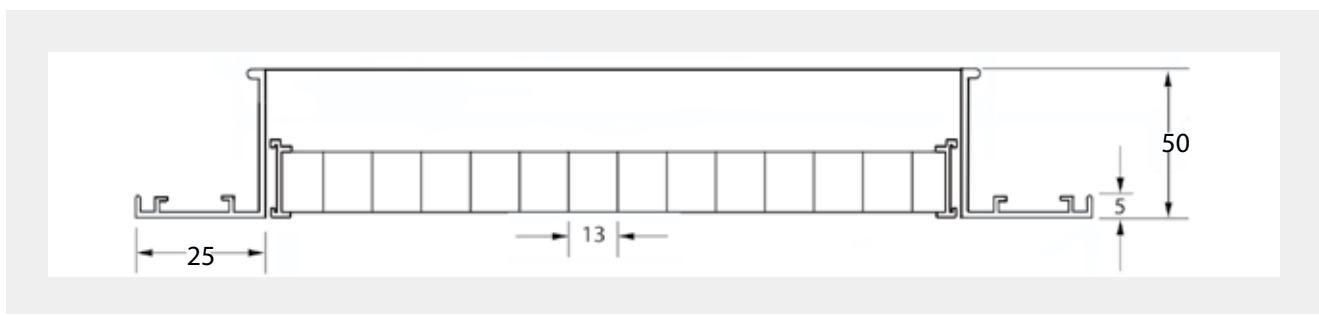
Product Code	Spigot Sizes (inches)	Nominal Neck	
		(mm)	(inches)
RN395F	6 to 14	350 x 350	14 x 14
RN595295F	6 to 16	550 x 250	22 x 10
RN595395F	6 to 18	550 x 350	22 x 14
RN595F	6 to 22	550 x 550	22 x 22
RN605F	6 to 22	560 x 560	N/A



Removable Core Eggcrate



Product Code	Nominal Neck		Face Size (mm)	Actual Neck (mm)	Units/Box
	(mm)	(inches)			
RCEG66	150 x 150	6 x 6	180 x 180	140 x 140	10
RCEG88	200 x 200	8 x 8	230 x 230	190 x 190	10
RCEG1010	250 x 250	10 x 10	280 x 280	240 x 240	10
RCEG1212	300 x 300	12 x 12	330 x 330	290 x 290	10
RCEG1414	350 x 350	14 x 14	380 x 380	340 x 340	10
RCEG1616	400 x 400	16 x 16	430 x 430	390 x 390	10
RCEG1818	450 x 450	18 x 18	480 x 480	440 x 440	5
RCEG2020	500 x 500	20 x 20	530 x 530	490 x 490	5
RCEG595F	560 x 560	22 x 22	595 x 595	555 x 555	5
RCEG1195595F	1160 x 560	46 x 22	1195 x 595	1155 x 555	5



Reducing Neck with Fixing Clip for Removable Core Eggcrate Grilles



Product Code	Spigot Sizes	Compatible Grilles	Nominal Neck	
			(mm)	(inches)
FCRC66	4 to 6	RCEG66	150 x 150	6 x 6
FCRC88	4 to 8	RCEG88	200 x 200	8 x 8
FCRC1010	6 to 10	RCEG1010	250 x 250	10 x 10
FCRC1212	6 to 12	RCEG1212	300 x 300	12 x 12
FCRC1414	6 to 14	RCEG1414	350 x 350	14 x 14
FCRC1616	6 to 16	RCEG1616	400 x 400	16 x 16
FCRC1818	6 to 18	RCEG1818	450 x 450	18 x 18
FCRC2020	6 to 20	RCEG2020	500 x 500	20 x 20

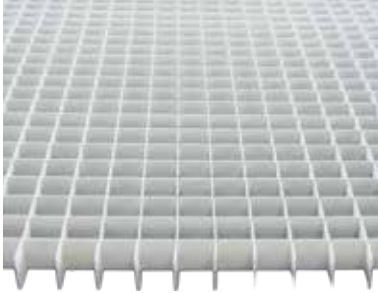
Removable Core Eggcrate Grilles with Reducing Neck and Fixing Clip



Product Code	Nominal Neck		Spigot Size		Units/Box
	(mm)	(inches)	(mm)	(inches)	
FCRCEG666	150 x 150	6 x 6	150	6	16
FCRCEG886	200 x 200	8 x 8	150	6	16
FCRCEG888	200 x 200	8 x 8	200	8	16



Eggcrate Core Only

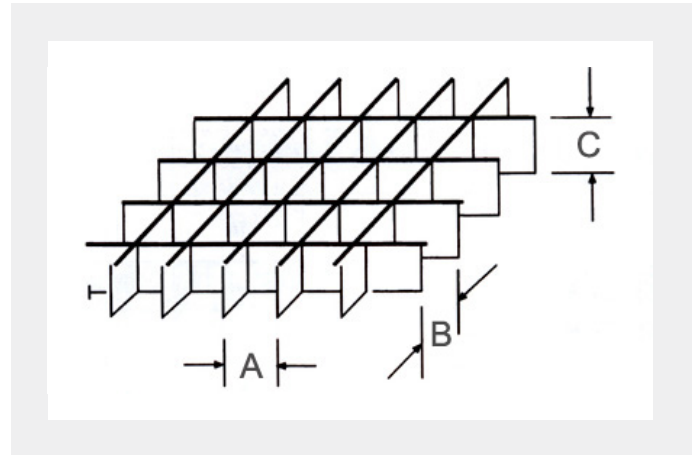


A12.7MM

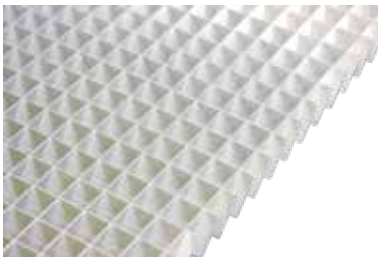
B12.7MM

C12.7MM

Product Code	Exact Size (mm)	Finish	Units/Box
ECC1220W	1220 x 1220	White	10
ECC1220M	1220 x 1220	Mill	10



Non - Vision Eggcrate Core Only 35 Deg.

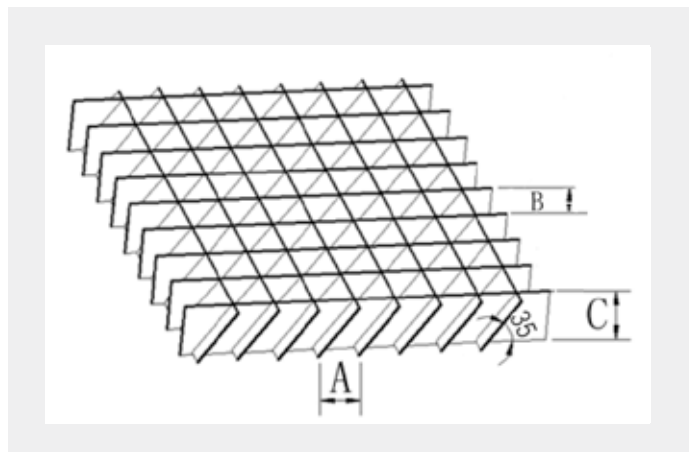


A12.7MM

B12.7MM

C12.7MM

Product Code	Exact Size (mm)	Finish	Units/Box
ECC351220M (35 Deg)	1220 x 1220	Mill	10



PRODUCT INFO	
Type	Removable core bar grille
Function	Supply air
Mount	Wall
Colour	White powdercoated
Material	Aluminium
Design	Fixed blades
	0 degree deflection
	12.5mm pitch
	3.0mm blade thickness

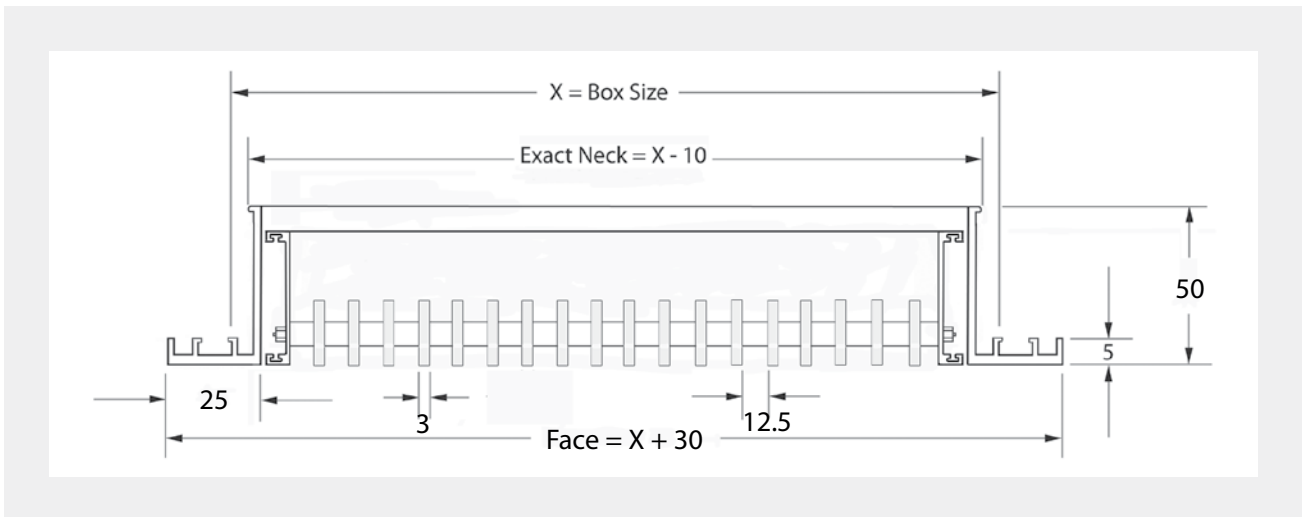


Removable Core Bar Grille



Easy and Convenient

The removable core can be easily pulled out and snap back in.



Product Code	Nominal Neck		Units/Box
	(mm)	(inches)	
RCBG164	400 x 100	16 x 4	10
RCBG244	600 x 100	24 x 4	10
RCBG324	800 x 100	32 x 4	10
RCBG146	350 x 150	14 x 6	10
RCBG166	400 x 150	16 x 6	10
RCBG246	600 x 150	24 x 6	5

PRODUCT INFO	
Type	Half chevron grille
Function	Exhaust or return air
Mount	Wall
Colour	Natural anodised
Material	Aluminium
Design	Fixed blades at 45°
	17.5mm blade spacing

Qline
Half Chevron Grille



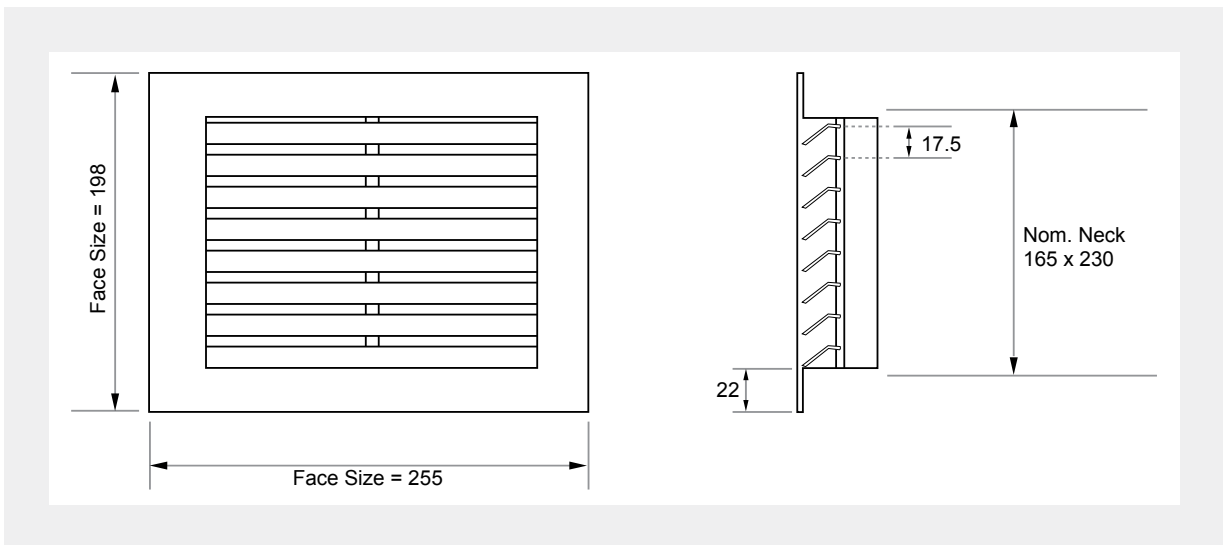
Product Code	Nominal Neck		Units/Box
	(mm)	(inches)	
HC97	230 x 165	9 x 7	20



A half chevron grille is best suited for undercover installation.

Added Security

The wire mesh keeps out unwanted visitors.



Test Conditions

NC levels and pressure drops are given for grilles with no filters or dampers attached. For other performance or selection details please contact the supplier.

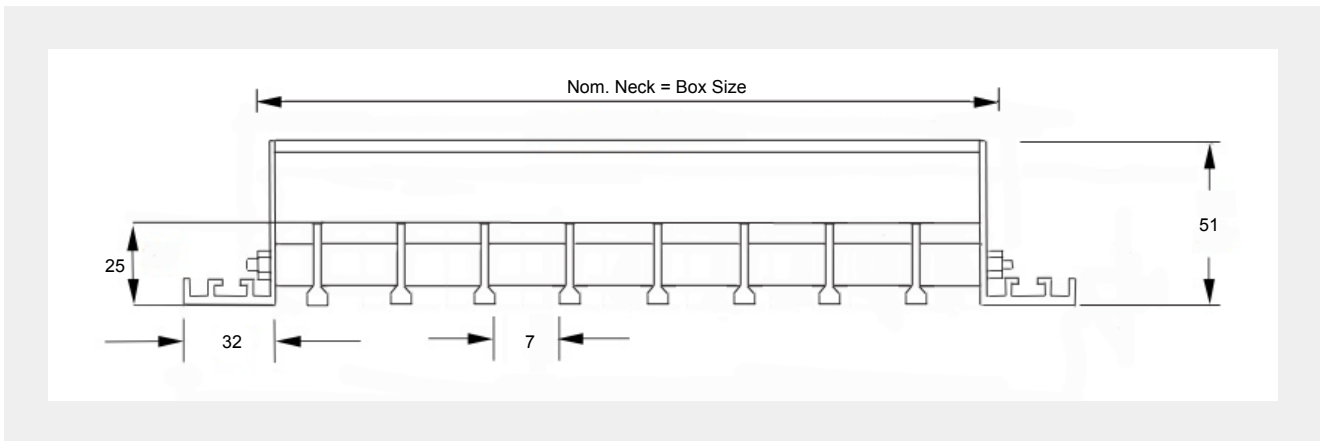
Product Code	Nominal Neck (mm)	Neck Area (m ²)	Neck Velocity (m/s)	1.5	2.0	2.5	3.0	3.5	4.0	4.5	5.0
				Pressure Drop (Pa)	4	7	11	16	22	29	37
HC97	230x165	0.026	Flow Rate (l/s)	39	52	65	78	91	104	117	130
			NC Level	<15	<15	19	26	30	34	35	37

Qline
Floor Grille



PRODUCT INFO	
Type	Floor grille
Function	Supply or return air
Mount	Floor
Colour	Natural anodised
Material	Aluminium
Design	9.1mm blade spacing
	Fixed core

Product Code	Nominal Neck		Face Size (mm)	Units/Box
	(mm)	(inches)		
FG124N	300 x 100	12 x 4	352 x 160	10
FG126N	300 x 150	12 x 6	352 x 210	10
FG146N	350 x 150	14 x 6	402 x 210	10
FG166N	400 x 150	16 x 6	452 x 210	10
HDFG2416N	600 x 400	24 x 16	652 x 460	2
HDFG3016N	750 x 400	30 x 16	802 x 460	2
HDFG3616N	900 x 400	36 x 16	952 x 460	2



PRODUCT INFO	
Type	Door grille
Function	Air relief
Mount	Door
Colour	Anodised
Material	Aluminium
Design	Fixed single blades
	22mm centres
	Telescopic back frame
	For 30-45mm door thickness
	Snap fit installation



Privacy Guaranteed

The blades are angled to guarantee occupant privacy.



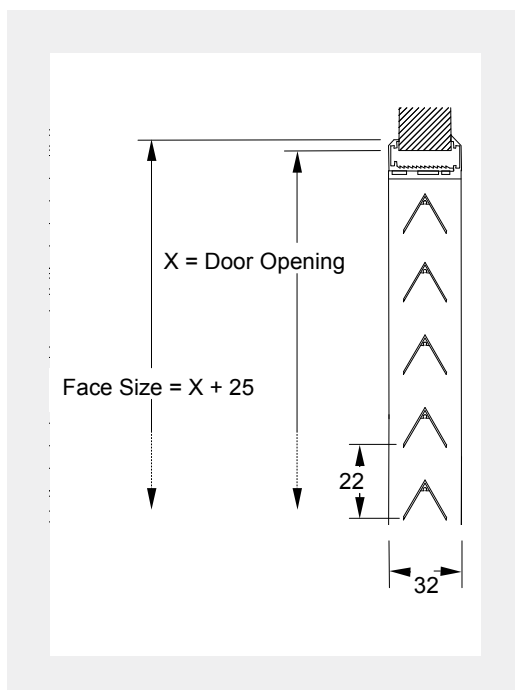
Convenient and Easy

The telescopic frame makes installation easy. The frame can adapt to the required door thickness.



Secure Fix

The clips snaps in small increments and provide a tight hold.



Product Code	Nominal Neck		Units/Box
	(mm)	(inches)	
DG126	300 x 150	12 x 6	10
DG186	450 x 150	18 x 6	10
DG244	600 x 100	24 x 4	10
DG246	600 x 150	24 x 6	10
DG248	600 x 200	24 x 8	10
DG1212	300 x 300	12 x 12	10
DG1818	450 x 450	18 x 18	10
DG2012	500 x 300	20 x 12	10
DG2410	600 x 250	24 x 10	10
DG2412	600 x 300	24 x 12	10
DG2416	600 x 400	24 x 16	10
DG2418	600 x 450	24 x 18	10
DG2424	600 x 600	24 x 24	5

PRODUCT INFO	
Type	Double deflection registers
Function	Supply air
Mount	Wall or duct
Varieties	Removable core Fixed core
Colour	White powdercoated
Material	Aluminium
Design	Adjustable blades



Removable Core Double Deflection Register



Multi Direction Airflow Adjustment

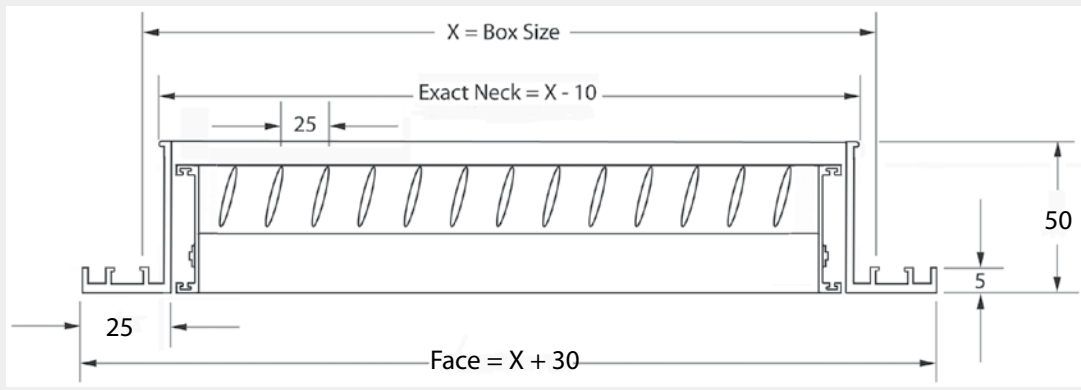
Each horizontal and vertical blade can be adjusted individually which gives better control of the airflow.

Easy and Convenient

The removable core can be easily pulled out and snap back in.

Dual Purpose

The blades can also function as a damper to limit the volume of airflow.



Product Code	Nominal Neck		Units/Box
	(mm)	(inches)	
RCDDR124	300 x 100	12 x 4	5
RCDDR144	350 x 100	14 x 4	5
RCDDR164	400 x 100	16 x 4	5
RCDDR184	450 x 100	18 x 4	5
RCDDR204	500 x 100	20 x 4	5
RCDDR244	600 x 100	24 x 4	5
RCDDR324	800 x 100	32 x 4	5
RCDDR126	300 x 150	12 x 6	5
RCDDR146	350 x 150	14 x 6	5
RCDDR166	400 x 150	16 x 6	5
RCDDR186	450 x 150	18 x 6	5

Product Code	Nominal Neck		Units/Box
	(mm)	(inches)	
RCDDR206	500 x 150	20 x 6	5
RCDDR246	600 x 150	24 x 6	5
RCDDR128	300 x 200	12 x 8	5
RCDDR148	350 x 200	14 x 8	5
RCDDR168	400 x 200	16 x 8	5
RCDDR188	450 x 200	18 x 8	5
RCDDR208	500 x 200	20 x 8	5
RCDDR248	600 x 200	24 x 8	5
RCDDR1210	300 x 250	12 x 10	5
RCDDR2010	500 x 250	20 x 10	5
RCDDR2410	600 x 250	24 x 10	5
RCDDR2412	600 x 300	24 x 12	5



Fixed Core Double Deflection Register

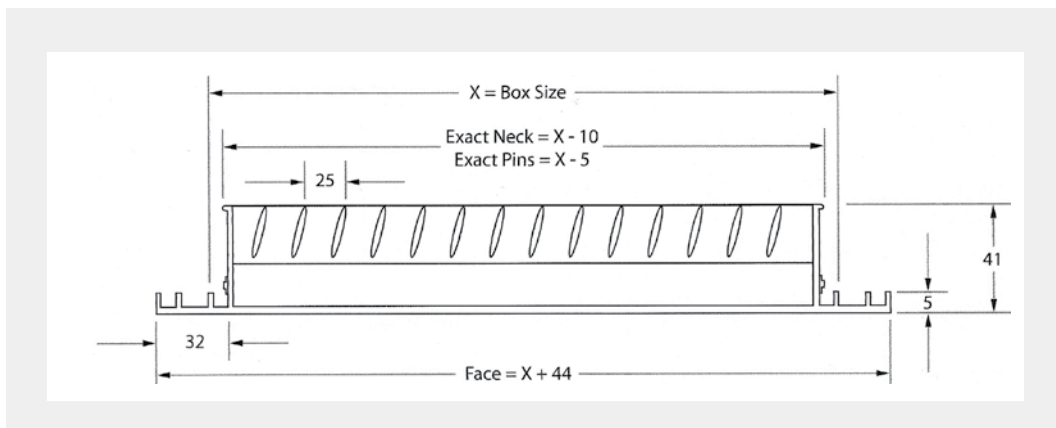


Multi Direction Airflow Adjustment

Each horizontal and vertical blade can be adjusted individually which gives better control of the airflow.

Dual Purpose

The blades can also function as a damper to limit the volume of airflow.



Product Code	Nominal Neck		Qty/ Carton
	(mm)	(inches)	
DDR84	200 x 100	8 x 4	5
DDR104	250 x 100	10 x 4	5
DDR124	300 x 100	12 x 4	5
DDR144	350 x 100	14 x 4	5
DDR164	400 x 100	16 x 4	5
DDR184	450 x 100	18 x 4	5
DDR204	500 x 100	20 x 4	5
DDR244	600 x 100	24 x 4	5
DDR66	150 x 150	6 x 6	5
DDR86	200 x 150	8 x 6	5
DDR106	250 x 150	10 x 6	5
DDR126	300 x 150	12 x 6	5
DDR146	350 x 150	14 x 6	5
DDR166	400 x 150	16 x 6	5
DDR186	450 x 150	18 x 6	5
DDR206	500 x 150	20 x 6	5
DDR246	600 x 150	24 x 6	5
DDR306	750 x 150	30 x 6	5
DDR366	900 x 150	36 x 6	5
DDR88	200 x 200	8 x 8	5

Product Code	Nominal Neck		Qty/ Carton
	(mm)	(inches)	
DDR108	250 x 200	10 x 8	5
DDR128	300 x 200	12 x 8	5
DDR148	350 x 200	14 x 8	5
DDR168	400 x 200	16 x 8	5
DDR188	450 x 200	18 x 8	5
DDR208	500 x 200	20 x 8	5
DDR248	600 x 200	24 x 8	5
DDR308	750 x 200	30 x 8	5
DDR1010	250 x 250	10 x 10	5
DDR1210	300 x 250	12 x 10	5
DDR1410	350 x 250	14 x 10	5
DDR1610	400 x 250	16 x 10	5
DDR1810	450 x 250	18 x 10	5
DDR2010	500 x 250	20 x 10	5
DDR2410	600 x 250	24 x 10	5
DDR1212	300 x 300	12 x 12	5
DDR1612	400 x 300	16 x 12	5
DDR2012	500 x 300	20 x 12	5
DDR2412	600 x 300	24 x 12	5



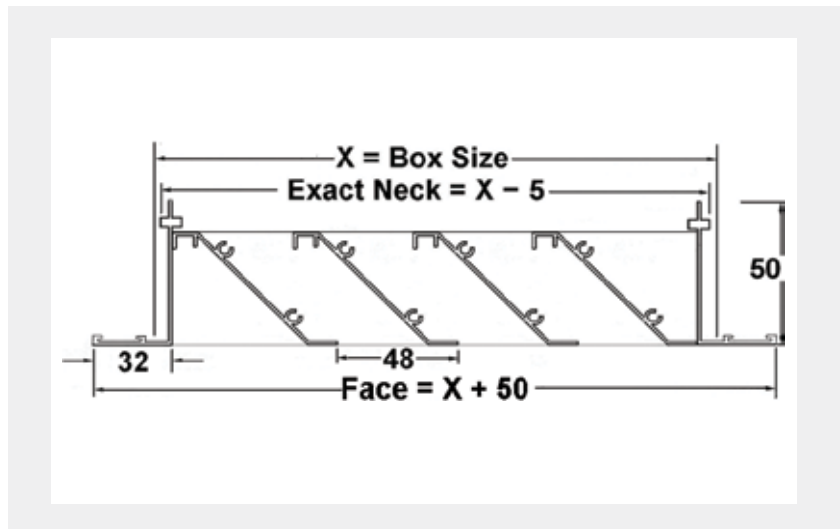
Weatherproof Louvre



PRODUCT INFO	
Type	Weatherproof louvre
Function	Exhaust or air intake
Mount	Wall
Varieties	Round
Colour	Anodised
Material	Aluminium
Design	48mm blade spacing
	32mm flange
	Rear wire mesh
	Double raintrap



A weatherproof louvre is best for all external installations.



Extra Security

The wire mesh keeps out unwanted visitors while the double rain trap design protects the inside from wet weather conditions.

Product Code	Nominal Neck		Face Size (mm)	Exact Neck (mm)	Units/Box
	(mm)	(inches)			
WPL95	225 x 125	9 x 5	280 x 165	225 x 107	10
WPL66	150 x 150	6 x 6	200 x 200	145 x 145	10
WPL97	225 x 175	9 x 7	280 x 215	225 x 157	10
WPL88	200 x 200	8 x 8	250 x 250	195 x 195	10
WPL168	400 x 200	16 x 8	450 x 250	395 x 195	10
WPL1010	250 x 250	10 x 10	300 x 300	245 x 245	10
WPL1212	300 x 300	12 x 12	350 x 350	295 x 295	10
WPL2412	600 x 300	24 x 12	650 x 350	595 x 295	10
WPL1414	350 x 350	14 x 14	400 x 400	345 x 345	10
WPL1616	400 x 400	16 x 16	450 x 450	395 x 395	10
WPL1818	450 x 450	18 x 18	500 x 500	445 x 445	5
WPL2020	500 x 500	20 x 20	550 x 550	495 x 495	5
WPL2424	600 x 600	24 x 24	650 x 650	595 x 595	5



Round Weatherproof Louvre



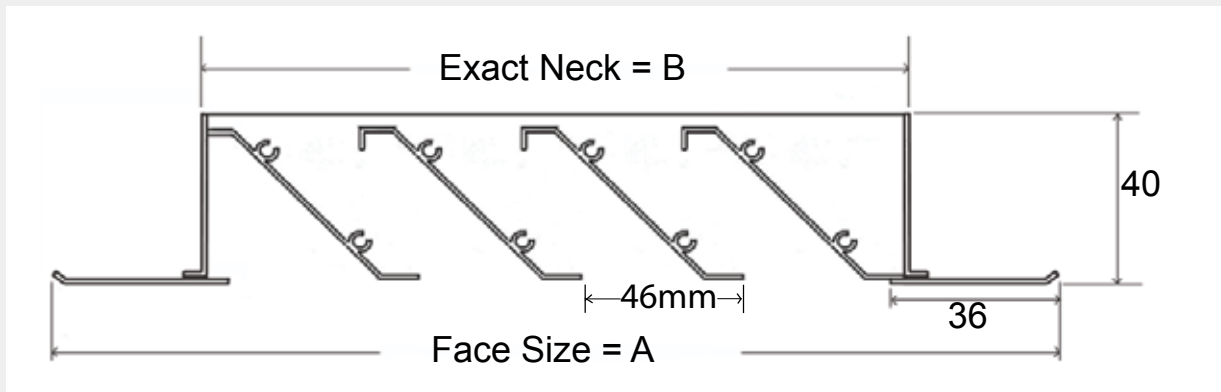
A weatherproof louvre is best for all external installations.

Extra Security

The wire mesh keeps out unwanted visitors while the double rain trap design protects the inside from wet weather conditions.



Product Code	Nominal Neck		Face ØA (mm)	Exact Neck ØB (mm)	Units/Box
	(mm)	(inches)			
RWPL6	150	6	200	140	20
RWPL8	200	8	250	190	20
RWPL10	250	10	300	240	10
RWPL12	300	12	350	290	10
RWPL14	350	14	400	340	10
RWPL16	400	16	450	390	10





Snap on Box for Weatherproof Louvre & Half Chevron Grille



PRODUCT INFO	
Type	Fitting
Function	Exhaust or air intake
Mount	Wall
Colour	Black powdercoated
Material	Galvanised sheetmetal
Design	Snap fit
	1 or 2 standard brick size

Product Code	Compatible Grilles	Size		Units/Box
		(mm)	(inches)	
SOB95	WPL95	225 x 125	9 x 5	18
SOB97	WPL97 HC97	225 x 175	9 x 7	18



Quick, Easy and Convenient

A compatible weatherproof louvre or half chevron grille easily locks in place with a push. Installation is made easier by eliminating the need for screws. This makes it ideal for challenging installation environments.

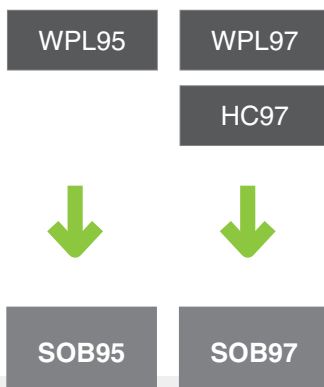


SOB97

Sizes & Compatible Products



Snap On Box Weatherproof Louvre Half Chevron





Universal Air Distribution Product Systems

Ready On Demand.



**+ Complementary
Range**